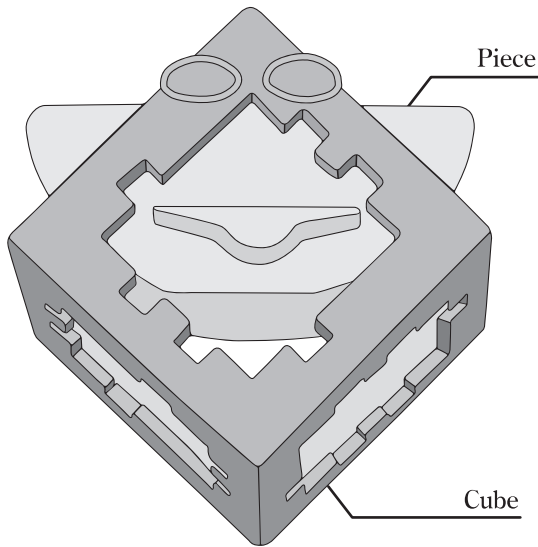
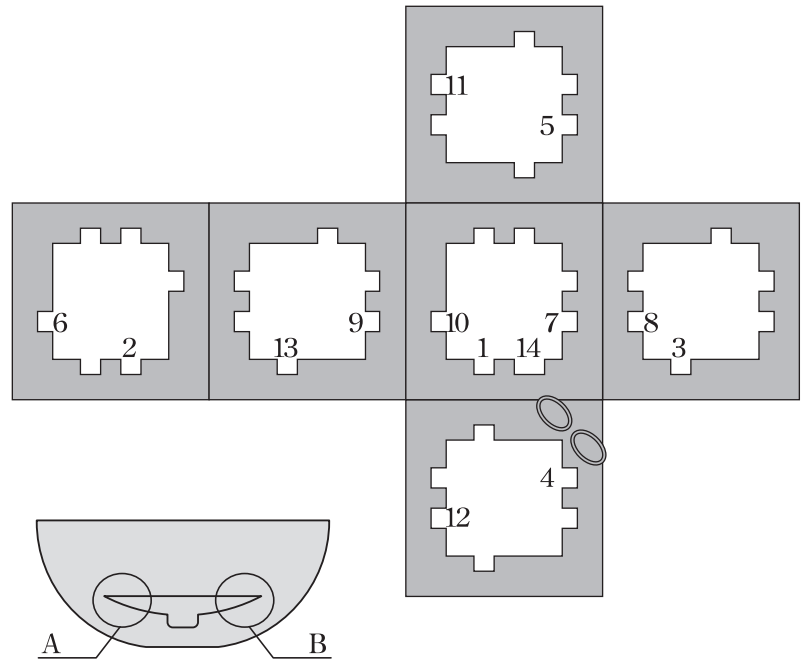


1. Start position.



2. Spread out the cube and number the notch of each side's opening. Label the left and right projecting part of the piece as A and B respectively.



3. Follow the chart below and pass the piece's A and B through the notches of the cube's openings.

|                             |   |   |   |   |   |   |   |   |   |    |    |    |    |    |    |
|-----------------------------|---|---|---|---|---|---|---|---|---|----|----|----|----|----|----|
| The cube's number           | 1 | 2 | 3 | 4 | 5 | 6 | 7 | 8 | 9 | 10 | 11 | 12 | 13 | 14 | 14 |
| The piece's projecting part | A | B | A | B | A | B | A | B | A | B  | A  | B  | A  | B  | A  |

※ This is the shortest way to remove the piece.

Other than this, there are several ways to remove the piece by using the unnumbered notches.

4. The piece has been removed.

