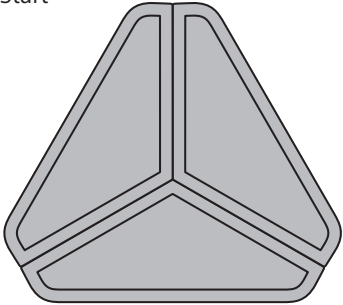


# Cast Delta

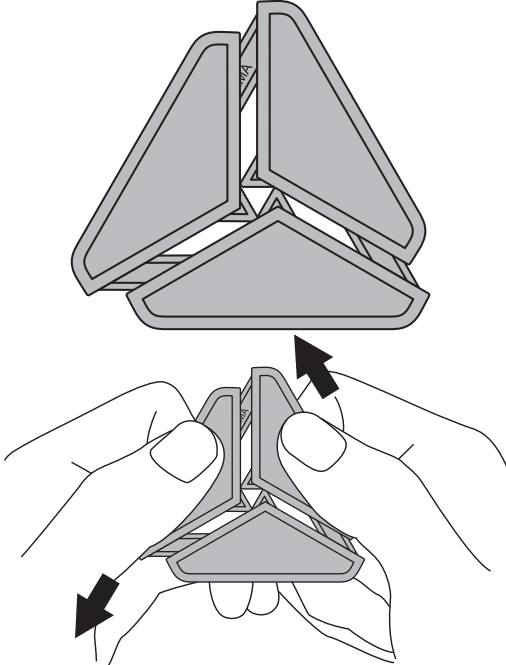


Objective of the Puzzle: take apart and put back together  
Difficulty Level: 7 (on a scale 5-10)  
Manufacturer: Hanayama

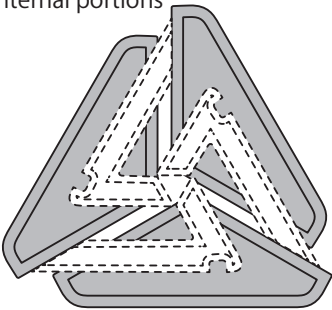
① Start



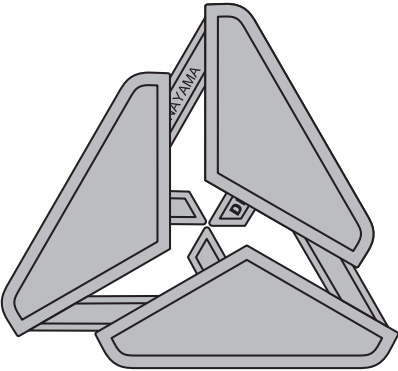
② Refer to the diagram on the lower left for positioning the internal portions, and then pull away each piece in the direction of the arrows.



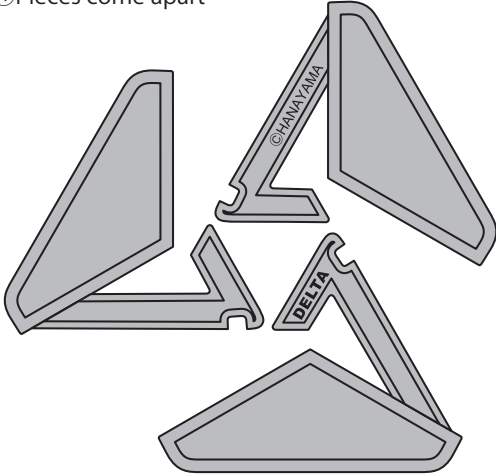
Internal portions



③ Slide 3 pieces as shown in the diagram below



④ Pieces come apart



(To our customers)  
We provide this explanatory diagram as a key to the puzzle.  
Due to the nature of the products, we cannot provide any  
explanations over the telephone. Thank you for your understanding.

 HANAYAMA HANAYAMA Co., Ltd.  
Unauthorized duplication is prohibited.

Puzzle Master, 832A Cynthia Street, Saskatoon, SK S7L 5Z7 Canada  
phone: 1-306-343-5612 fax: 1-306-244-7031