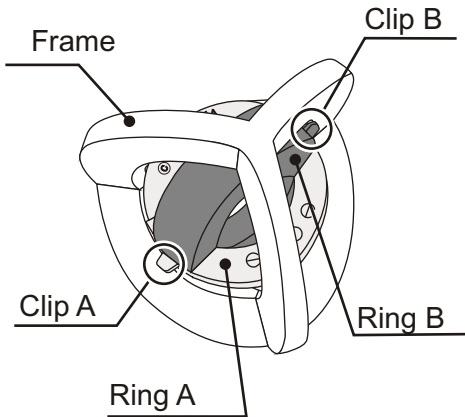
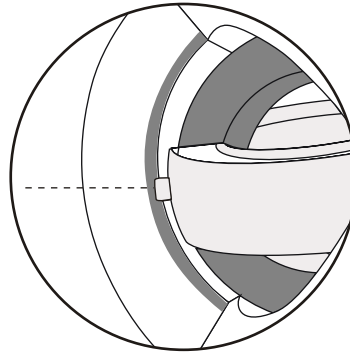


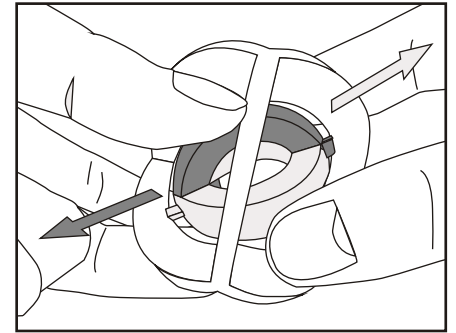
The names of the puzzle parts are shown below.



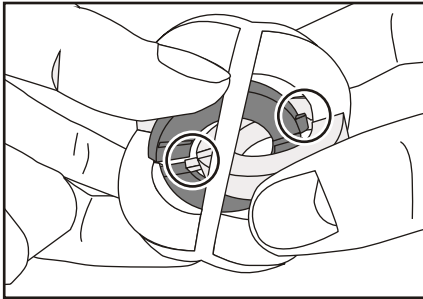
Moving the rings to various positions within the frame.
Move the position of the clips towards the center of the frame for both Rings A and B



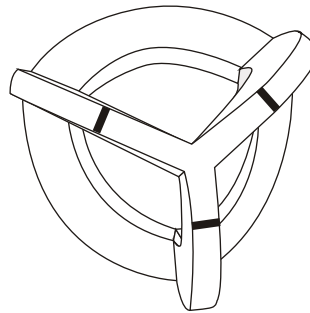
Pull both rings in the direction of the frame to release them.



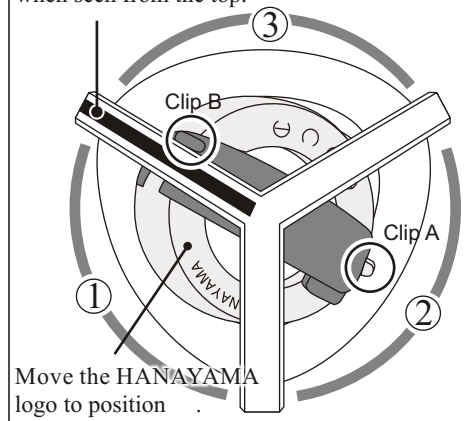
The rings can be moved out of position for the distance that the clips are moved to the opposite side of the frame. Move the clips upward if they are at the bottom of the frame and downward if they are at the top of the frame to set the rings in a different location.



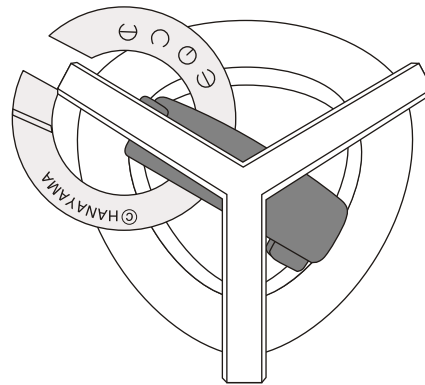
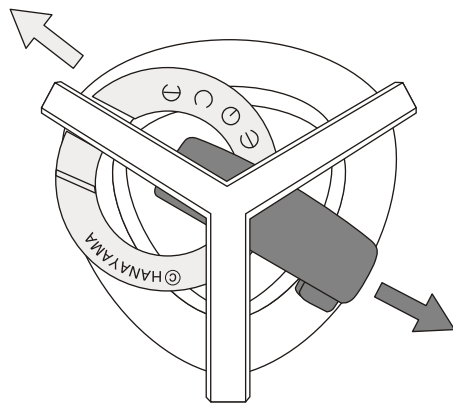
Once the rings are able to move freely within the frame, locate the thinnest part of the frame (there is one part that is clearly thinner than the rest of the frame.)



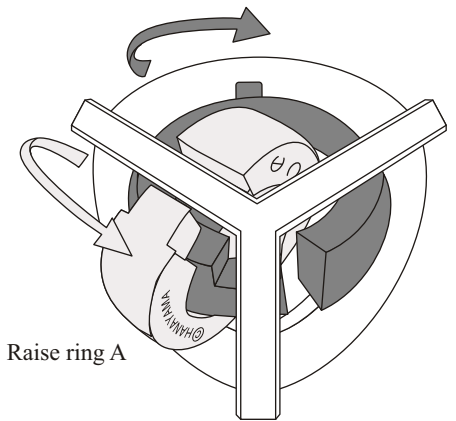
Position the thinnest part on the left-hand side when seen from the top.



Move the HANAYAMA logo to position

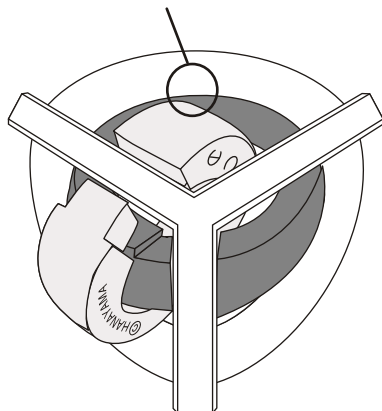


Move clip B to the center of the frame.

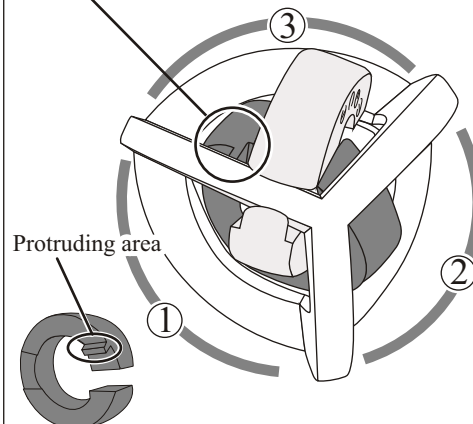


Raise ring A

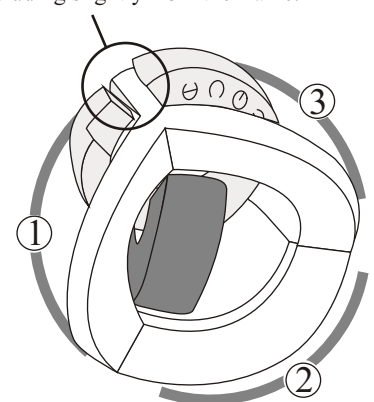
Allow clip B to drop to the bottom of the frame



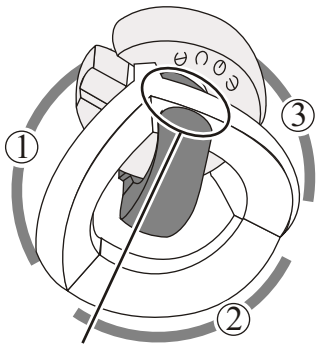
Move the protruding area of ring B to position



At the same time, move ring A so that it is protruding slightly from the frame.

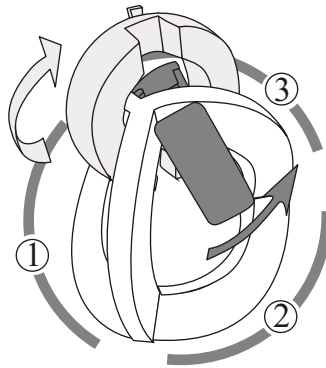


Rotate ring A.

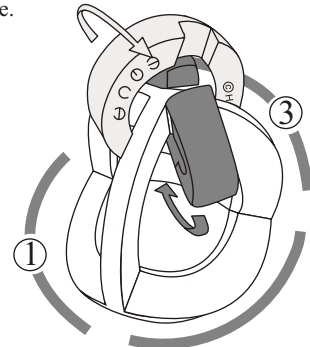


At the same time, move ring B so that it fits within the frame.

Rotate ring A.
At the same time, move ring B close to the frame.

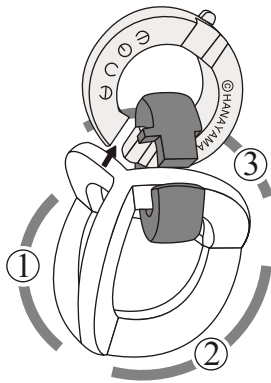


Angle ring A towards position ② while raising it at the location where it is almost fitted into the frame.

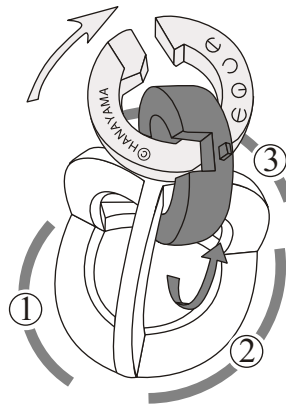


At the same time, gently nudge ring B toward position .

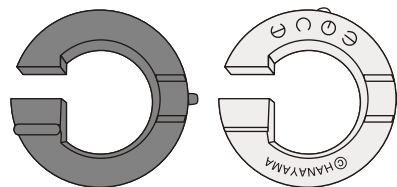
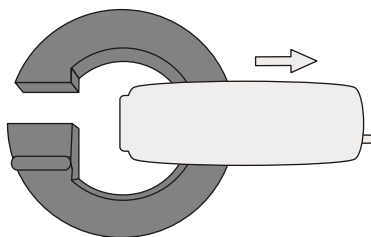
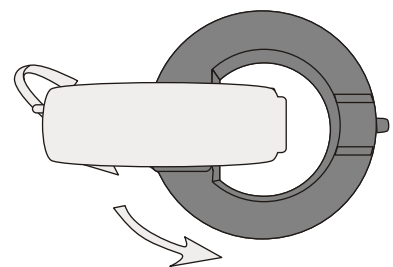
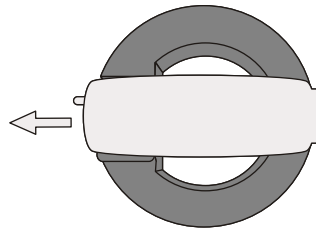
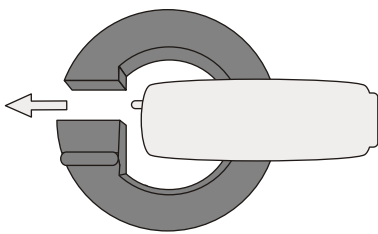
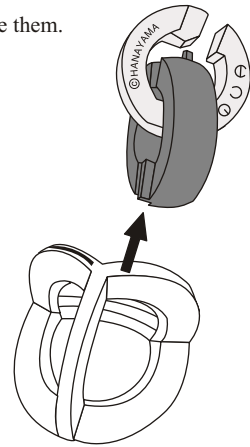
This will enable ring A to be removed from the frame.



Rotate rings A and B.



Remove them.



At the same time, move ring A so that it is