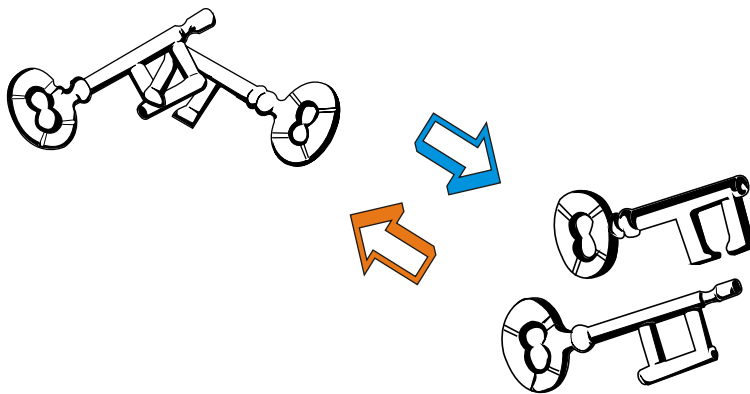




TM  
®

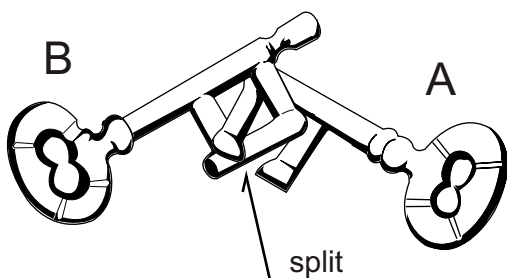


© Japan 2000-2005  
All design and copyrights reserved

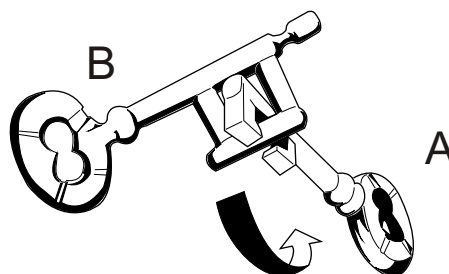


Exclusive European distribution  
by Eureka bvba - 2812 Belgium

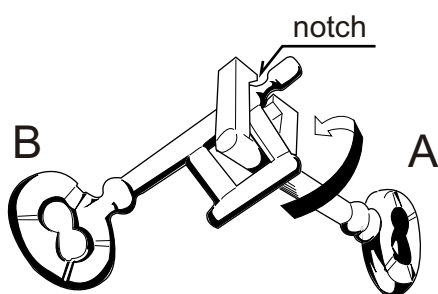
① Starting position



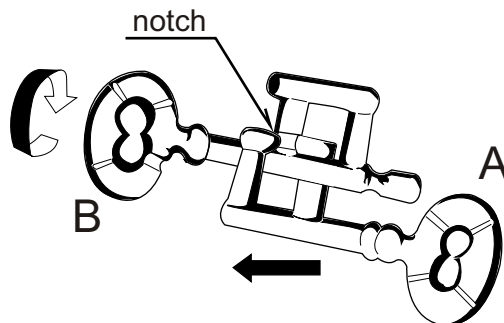
② Bring, by twisting, key A under key B (find the correct place to do so)



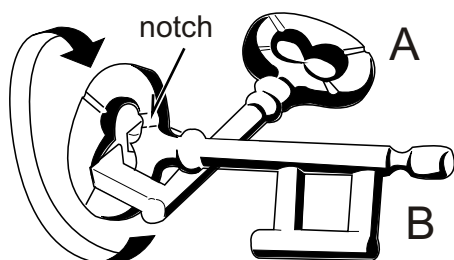
③ Turn key A to the right and let the split from key A pass the notch in key B



④ Turn over key A for 180 degrees and let the split pass the next notch of key B, moving key A in the direction of the "eye" of key B



⑤ Rotate key B for 180 degrees (over the longitudinal), let the split of key A pass the first notch of the "eye" of key B and turn key A 180 degrees again



⑥ Pass through the same notch again (in opposite direction!) and both keys come apart

