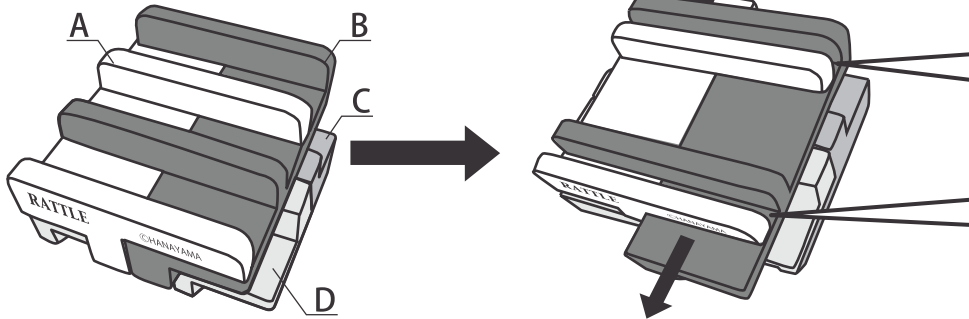


※All of the pieces have the same shape.

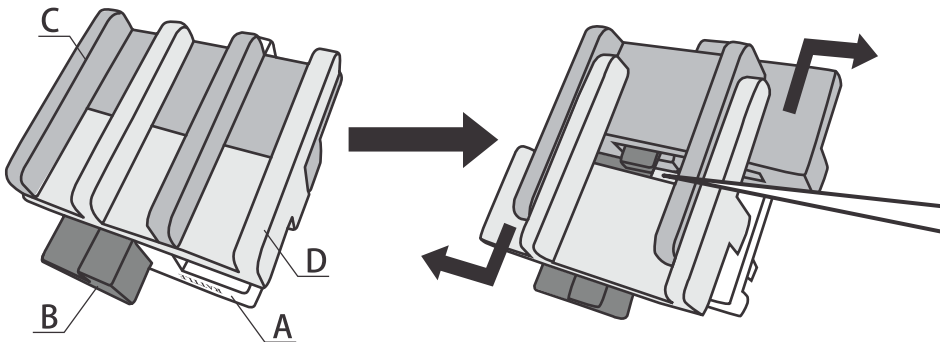
1 Slide the "A" and "B" pieces as shown in the diagram below.



! This is the key!

Slide the pieces such that the gap shown here is approximately 2 millimeters wide. If the gap is too wide or too narrow, the pieces will not disassemble.

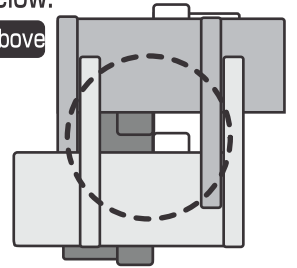
2 Flip the puzzle over and slide the "C" and "D" pieces as shown in the diagram below, and check the "A" and "B" pieces.



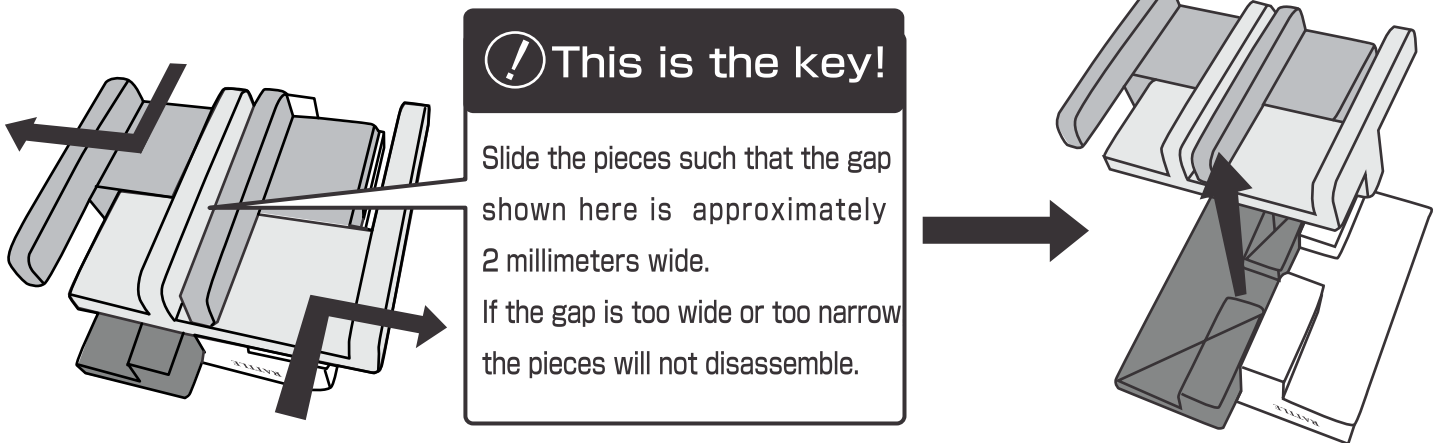
! This is the key!

Check to see if the pieces look arranged as shown in the diagram below.

View from above



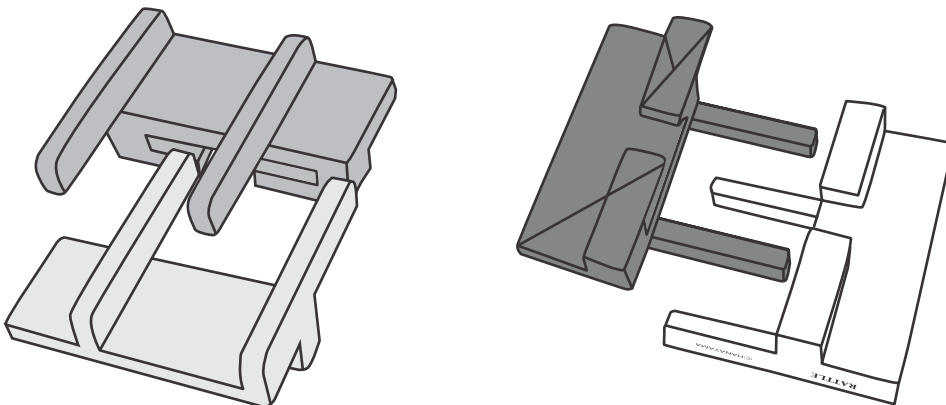
3 Slide the "C" and "D" pieces as shown in the diagram below, and lift only the "C" and "D" pieces.



! This is the key!

Slide the pieces such that the gap shown here is approximately 2 millimeters wide. If the gap is too wide or too narrow, the pieces will not disassemble.

4 The puzzle is disassembled.



(To our customers)

We provide this explanatory diagram as a key to the puzzle. Due to the nature of the products, we cannot provide any explanations over the telephone. Thank you for your understanding.

